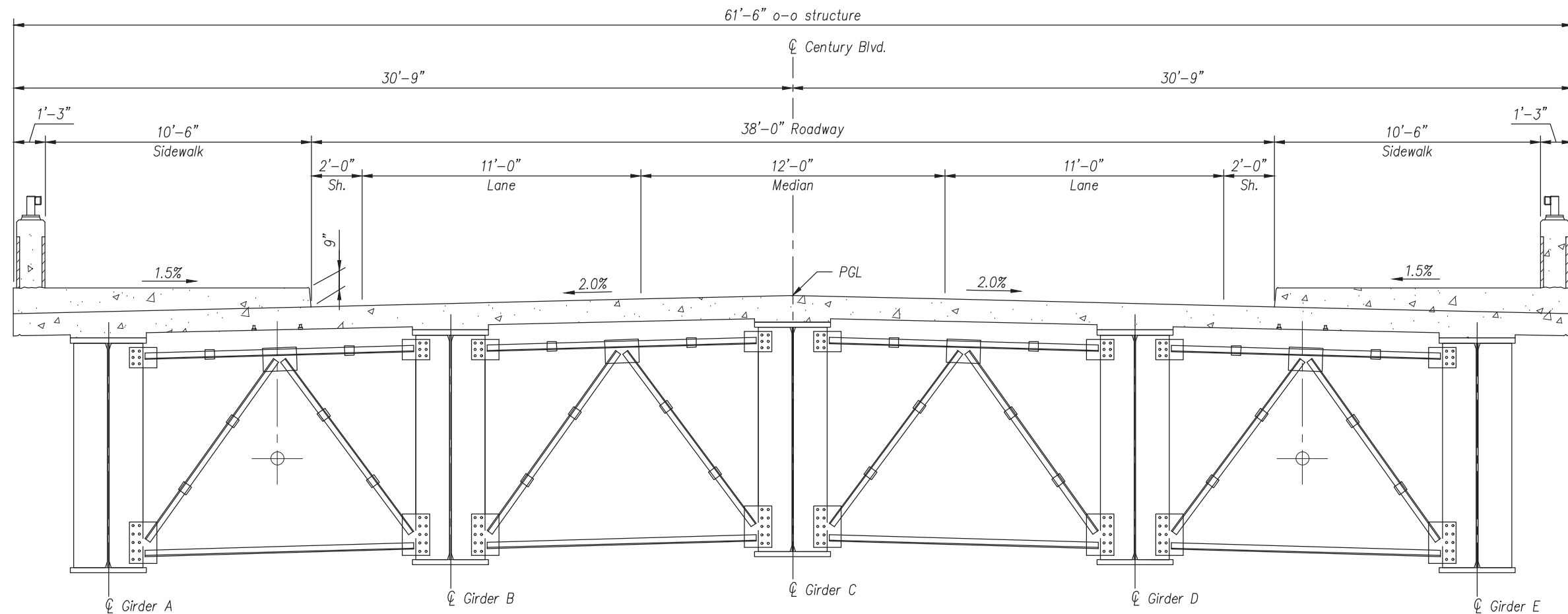


DRAFT



TYPICAL SECTION
Scale: 1" = 5'-0"

SCALE WARNING:
IF THIS BAR DOES
NOT MEASURE 1"
THEN DRAWING IS
NOT TO SCALE.



Department of
Land Use &
Transportation

PLOT STAMP: 12/12/19 11:35A NRUIZ	
CAD: 0021687-EXHIBIT-2.DWG	
PATH: P:\WASHINGTON COUNTY, OR\021687\11-EXECUTION\DRAWINGS\ST	
NO. REVISIONS	

CENTURY BOULEVARD EXTENSION
E. MAIN ST. - SE LOIS ST.
WASHINGTON COUNTY

CENTURY BLVD. BRIDGE OVER ROCK CREEK
EXHIBIT - 2

PROJECT NUMBER	
SHEET NO. OF	
SHEET TITLE	